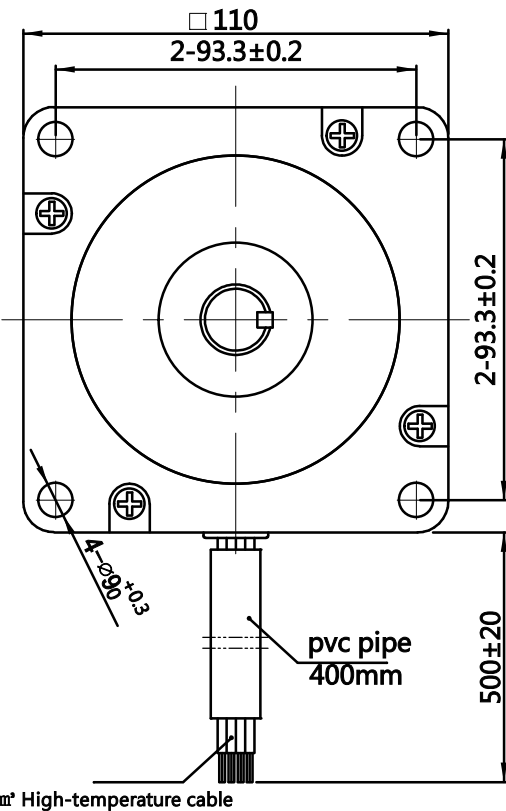
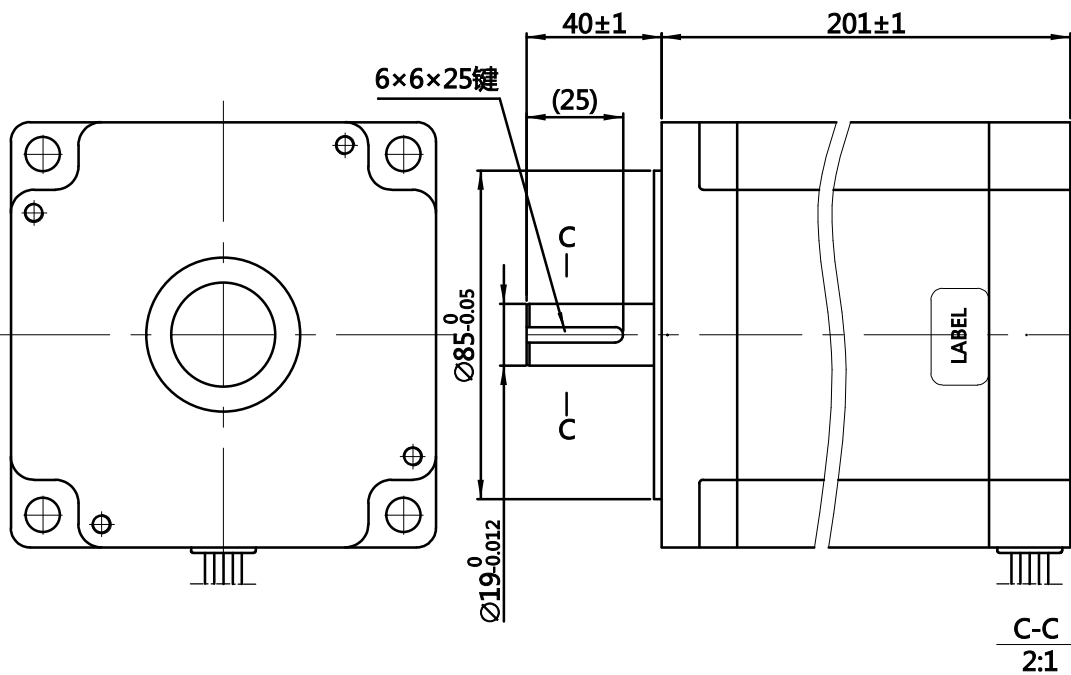
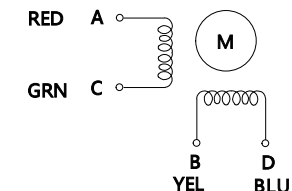


HYBRID STEPPING MOTOR SPECIFICATION

DIMENSIONS unit=mm

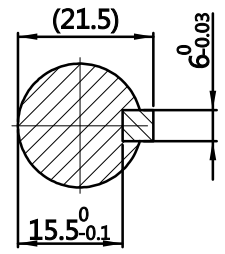


Wiring Diagram



Exciting Sequence vs. Direction of Rotation

STEP	A	B	C	D	Direction
1	+	+	-	-	CCW
2	-	+	+	-	CCW
3	-	-	+	+	CCW
4	+	-	-	+	CCW



12. Step Angle	1.8°±5%
11. Number of Phase	2
10. Rated Voltage	3 V
9. Rated Current/Phase	6 A (Peak Value)
8. Holding Torque	30 N.M
7. Detent Torque	- g-cm (Ref.)
6. Phase Resistance	1 Ω±0.1(20°C)
5. Phase Inductance	24 mH±20%(1kHz 1V RMS)
4. Dielectric Strength	AC 500V/ 1min / 5mA Max.
3. Rotor Inertia	g-cm²
2. Weight	kg
1. Insulation Class	B (130°) ; 80K Max.

Comment

CUSTOMER'S MODELNO. _____ REV. _____

REV.	ECN NO.	REVISION RECORD	DATE
DESIGN		CHECK	
STANDARD		APPROVE	
TECHNOLOGY		ECN SIGN	※

TITLE	STEPPING MOTOR			
DWG.NO.	110BYG-201 4 19J6 H40-001			
MATERIAL		SIZE	A4	
REV.	A	SCALE	1:2	SHEET 1 of 1