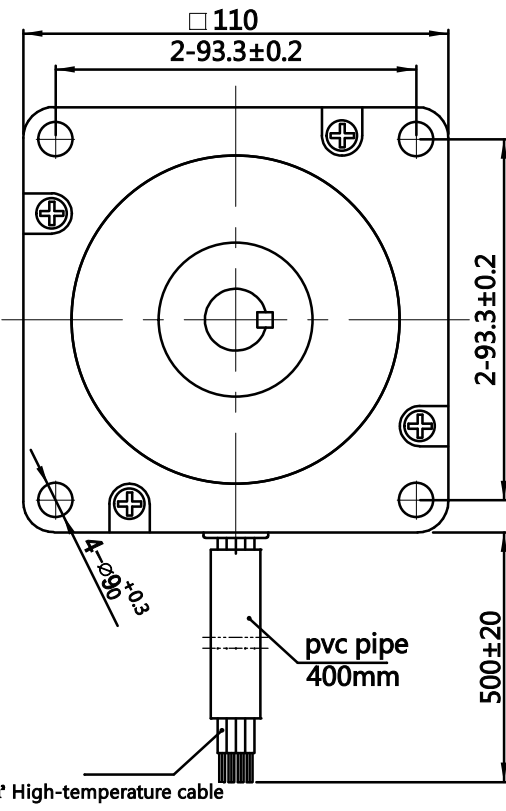
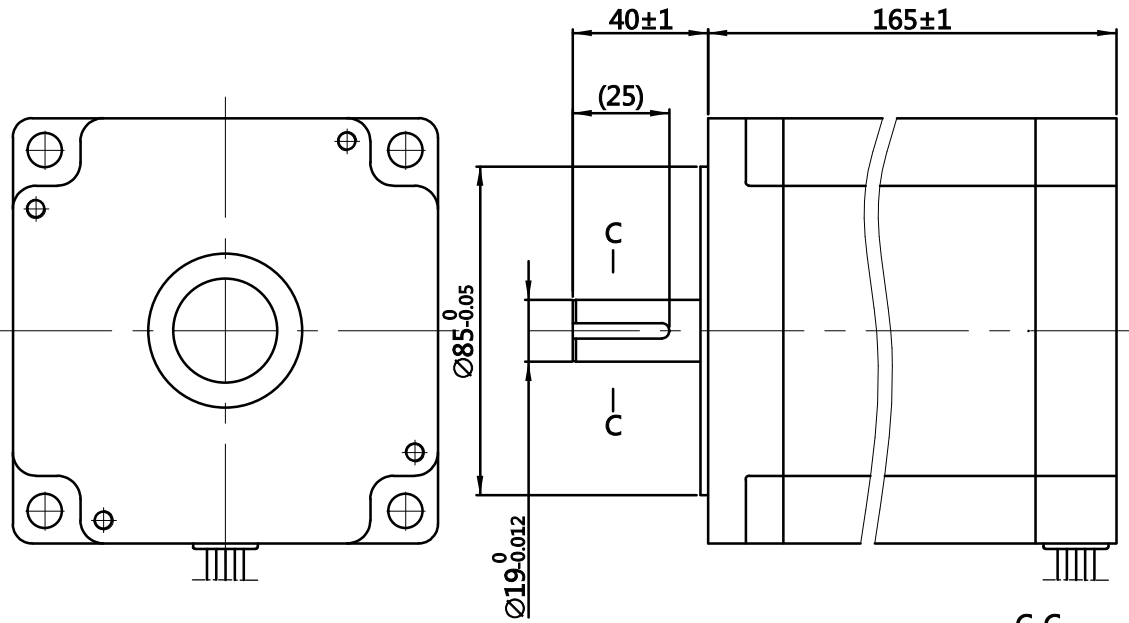
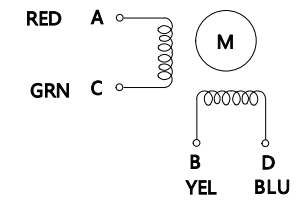


# HYBRID STEPPING MOTOR SPECIFICATION

**DIMENSIONS** unit=mm

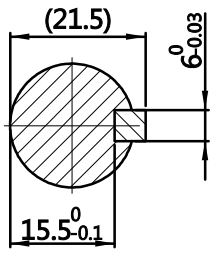


**Wiring Diagram**



**Exciting Sequence vs. Direction of Rotation**

STEP	A	B	C	D	Direction
1	+	+	-	-	CCW
2	-	+	+	-	CCW
3	-	-	+	+	CCW
4	+	-	-	+	CCW



12. Step Angle	1.8°±5%
11. Number of Phase	2
10. Rated Voltage	4.5 V
9. Rated Current/Phase	6 A ( Peak Value )
8. Holding Torque	22 N.M
7. Detent Torque	- g-cm (Ref.)
6. Phase Resistance	0.75 Ω±0.1(20°C)
5. Phase Inductance	21 mH±20%(1kHz 1V RMS)
4. Dielectric Strength	AC 500V/ 1min / 5mA Max.
3. Rotor Inertia	13000g-cm <sup>2</sup>
2. Weight	9.9kg
1. Insulation Class	B ( 130° ) ; 80K Max.

**Comment**

CUSTOMER'S MODELNO. \_\_\_\_\_ REV. \_\_\_\_\_

REV.	ECN NO.	REVISION RECORD	DATE	DWG.NO.	110BYG-165 4 19J6 H40-001			
DESIGN		CHECK		MATERIAL		SIZE	A4	
STANDARD		APPROVE		REV.	A	SCALE	1:2	1 of 1
TECHNOLOGY		ECN SIGN	※					